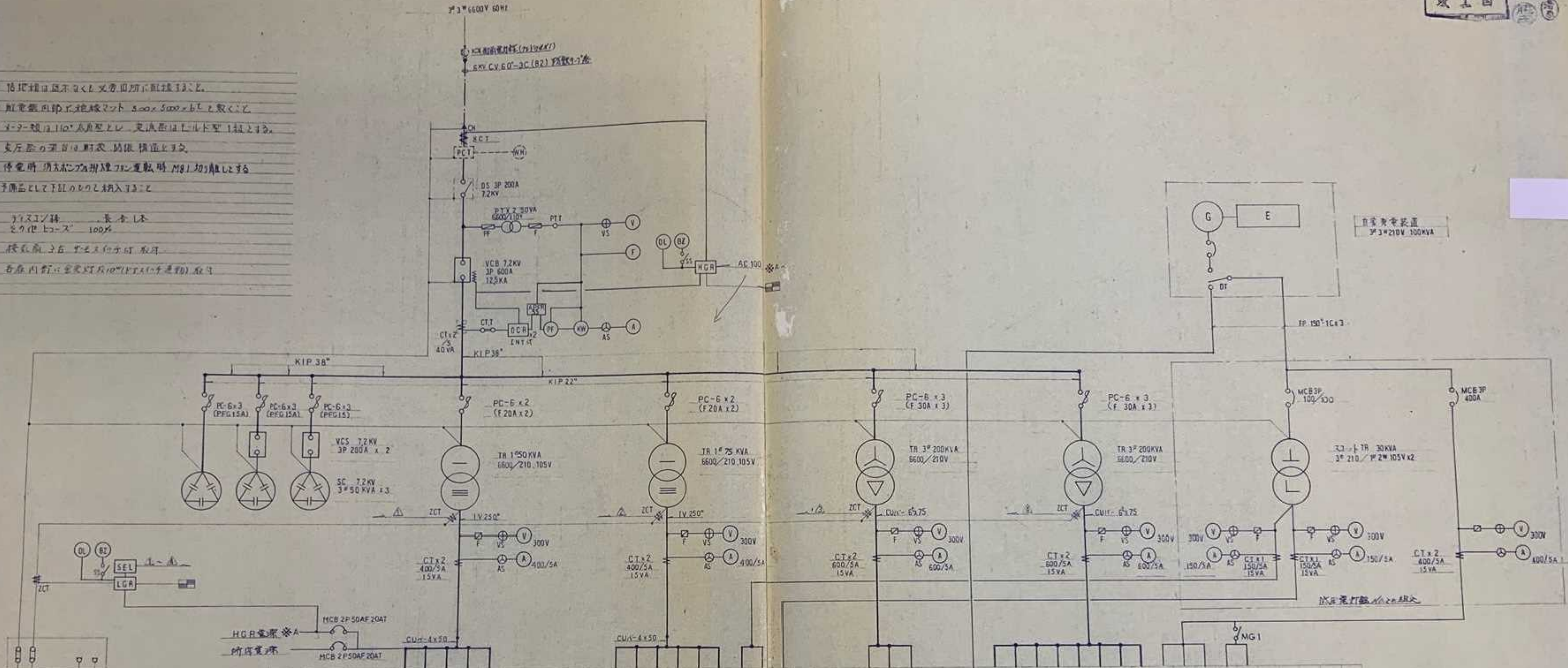


竣工図

- 1 接地抵抗は必ずしも又方周所に配線すること
 - 2 配電盤内部に絶縁シート 500x500x6mm を敷くこと
 - 3 4-7-1項は110V入用型とし、定価品はL1D型1級とする
 - 4 支分盤の扉は耐火型に限る
 - 5 停電時、消火栓の放水機が動作時、MGIが動作しないようにする
 - 6 予備品として下記のものを納入すること
- 予備品として下記のものを納入すること
- 1 予備品として下記のものを納入すること
 - 2 予備品として下記のものを納入すること



回路番号	負荷名称	負荷容量配線	配線用遮断器
L1	L-1A L-2A	35.2	MCB3P225AF150AT
L2	L-3A L-4A	25.2	"
L3	L-5A	26.9	"
L4	L-1B L-2B	39.3	MCB3P225AF150AT
L5	L-1C L-1D L-2C	36.5	"
L6	L-3B L-7B	34.9	"
L7	予備	5.7	MCB2P50AF10AT
L8	L-1E (附基機)	7.2	MCB3P50AF50AT
L9	予備	5.2	MCB2P100AF75AT
L10	L-1A L-1B	7.1	"
L11	L-1C L-1D	10.0	MCB3P225AF150AT
L12	L-1E L-1F	10.0	MCB3P225AF150AT
P1	M-R-1	5.9	MCB3P400AF400AT
P2	M-1	5.9	"
P3	M-2	66.6	"
P4	M-3	19.2	MCB3P400AF400AT
P5	M-4	14.0	MCB3P225AF150AT
P6	M-5	20.7	"
P7	M-6	20.0	"
P8	M-7	59.0	MCB3P400AF400AT
P9	M-8	25.0	MCB3P225AF150AT
P10	M-9	22.5	"
P11	予備	11.0	MCB3P100AF75AT
P12	消火栓放水機	4.6	MCB3P100AF75AT
P13	M-10	3.7	MCB2P50AF10AT
P14	M-11	3.8	MCB2P50AF10AT
P15	M-12	3.8	MCB2P50AF10AT

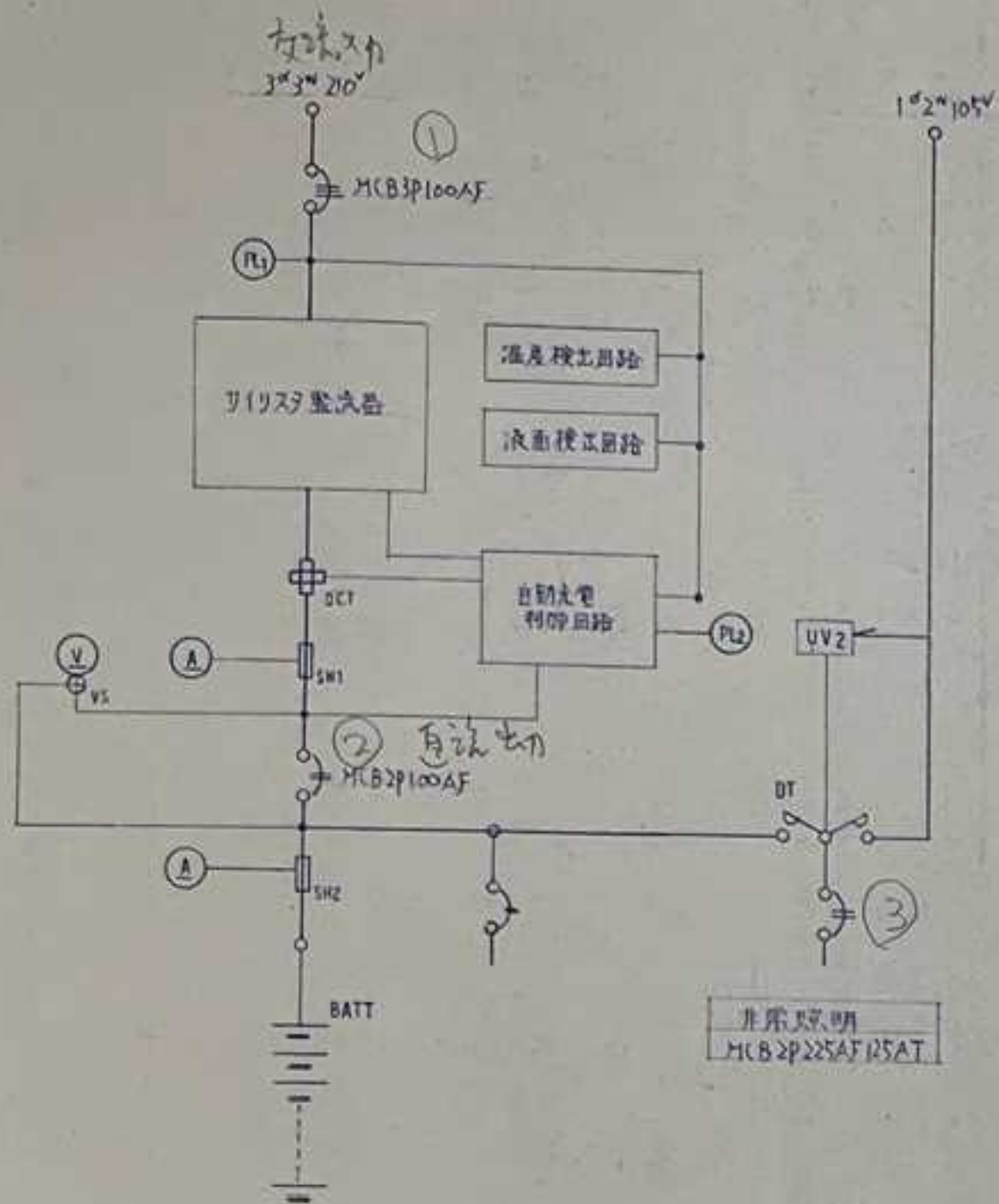
低圧電灯盤 N01

低圧電灯盤 N02

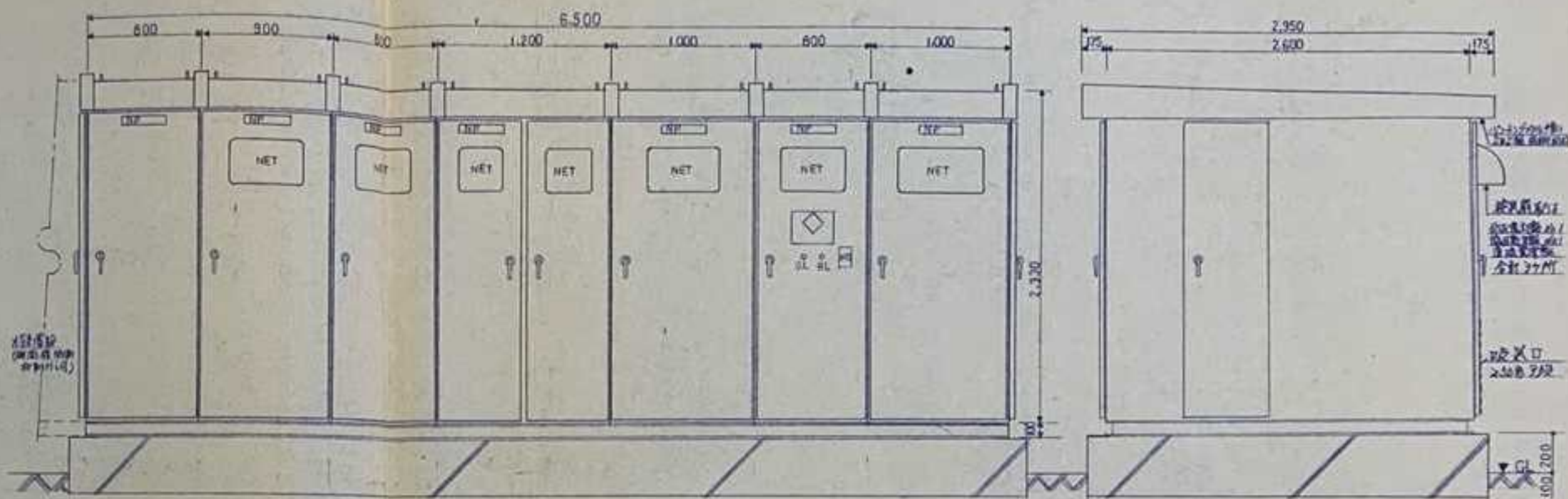
低圧動力盤 N01

低圧動力盤 N02

竣工図



直流電源装置単機接続線図



ワンシヤ一組 検電装置 No.2 検電装置 No.1 検電装置 No.2 検電装置 No.1 高圧受電盤 直流電源装置

キュービクル 変図

箱 : SS2-3T
扉 : SS2-3T
扉枠 : SS1-6T
仕様書 : 直流電源装置仕様書
基礎寸法 : C 50X100X51

直流電源装置仕様

1. 自動電圧装置用サイリスタ式整流器 (50A)

- 1) 交流入力 3 ϕ 200V 60Hz
- 2) 直流出力 自動電圧方式 浮動 105~125V 均等 117~135V
手動調整式 90~140V
- 3) 整流方式 3 ϕ 全波
- 4) 充電方式 自動電圧充電
- 5) 最大充電電流 定格電流の120%以内
- 6) 冷却方式 自然又は強制冷却
- 7) 周囲温度 標準 40℃以下
- 8) 充電効率 10分以内

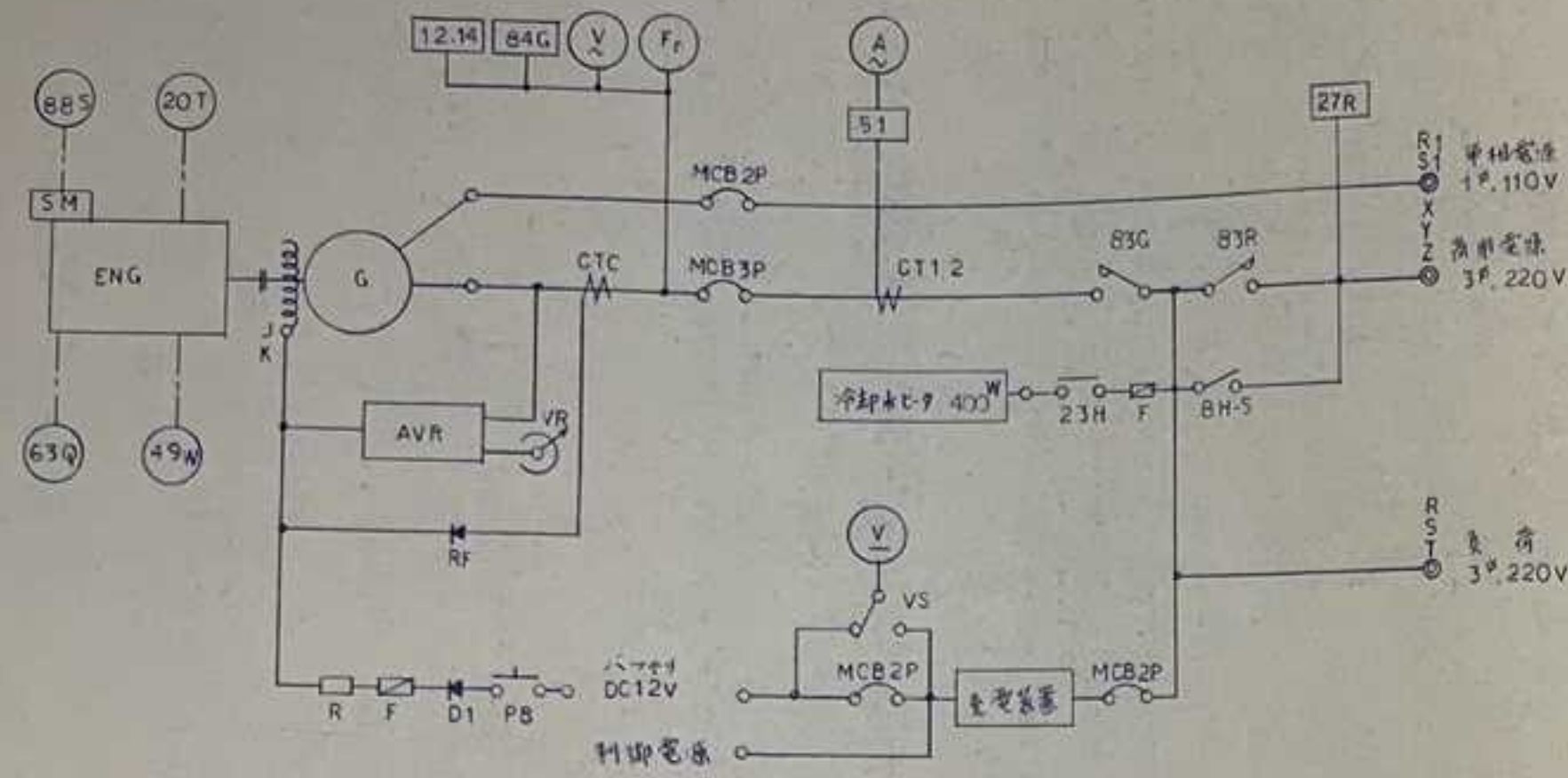
2. 蓄電池

- 1) 形式 高率放電用鉛蓄電池 (セル型) H5-E
- 2) 全容量型
- 3) 定格容量 H5-E型 120Ah (セル)

1. 本装置は建築基準法及び消防法令に適合したものである。

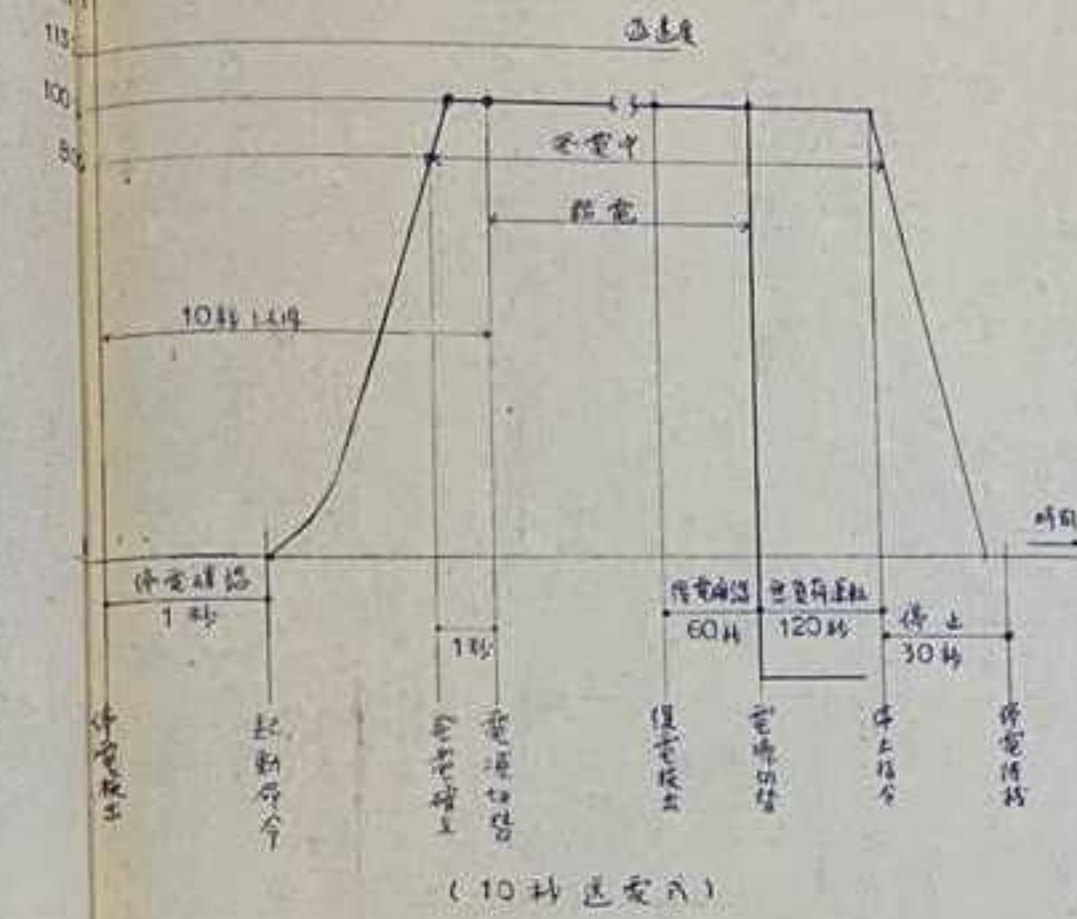
平線結線図

2001年改修
100kVA → 260kVA



100kVA → 260kVA 仕様変更

竣工図



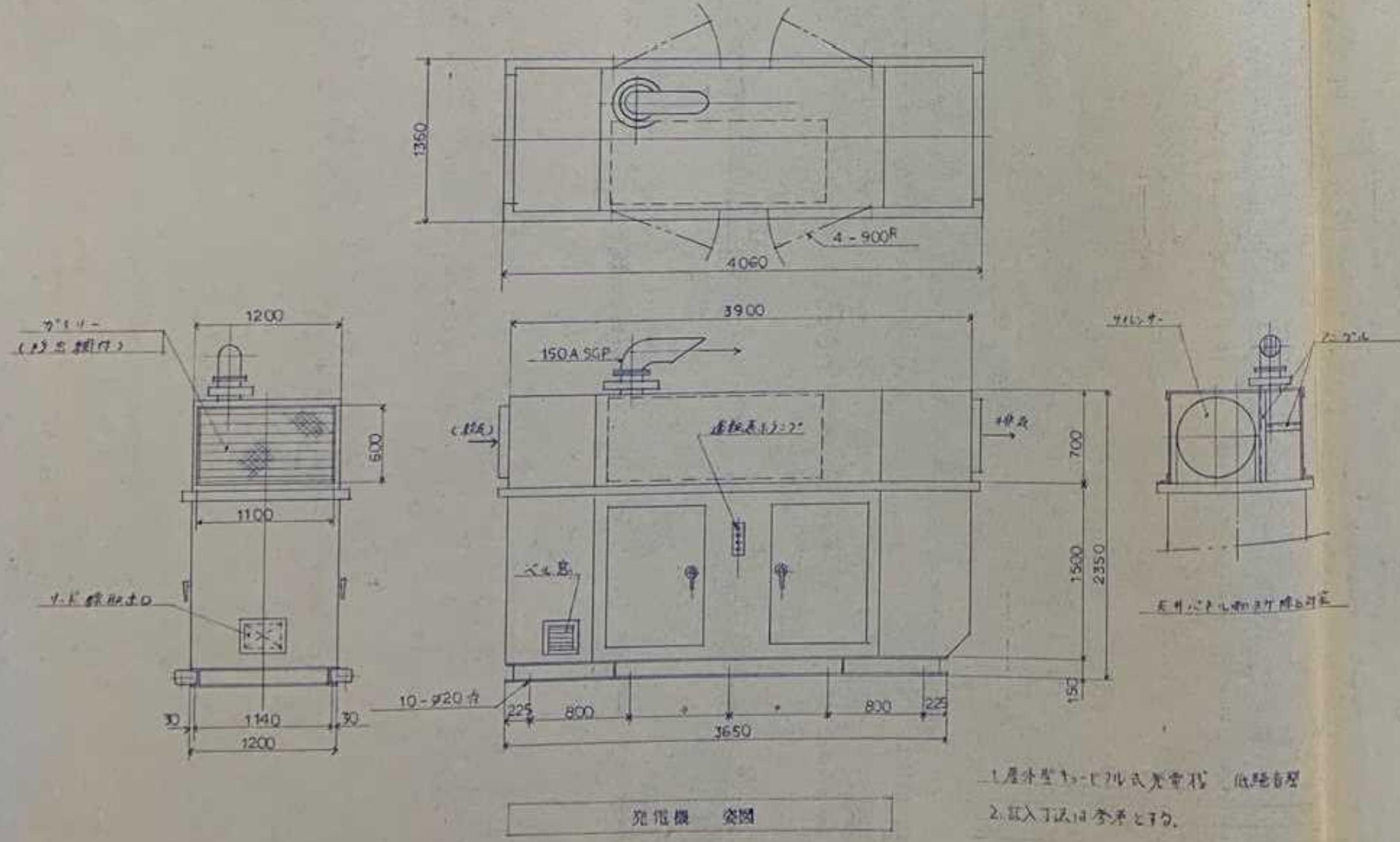
主要目録

交流容量	100 kVA
電圧	220 V
電流	262.4 A
相数	3φ, 3W
周波数	60 Hz
回転数	3600 rpm
励磁機	静励磁機
効率	80% (送電)
単相電圧	1φ, 110V, 6kW

冷却方式	強制冷却
出力	128 PS
回転数	3000 rpm
シリンダ数	6
径×行程	95×110 mm
冷却容量	75 l
燃料タンク容量	150 l
使用燃料	軽油 JIS 2号
運転時間	27 Hr
バッテリー容量	150 AH

項目	項目	100kVA時	冷却機運転時	送電時	送電時	始動時
7.7表示		○	○	○	○	○
8.8表示		○	○	○	○	○
9.9表示		○	○	○	○	○
10.0表示		○	○	○	○	○

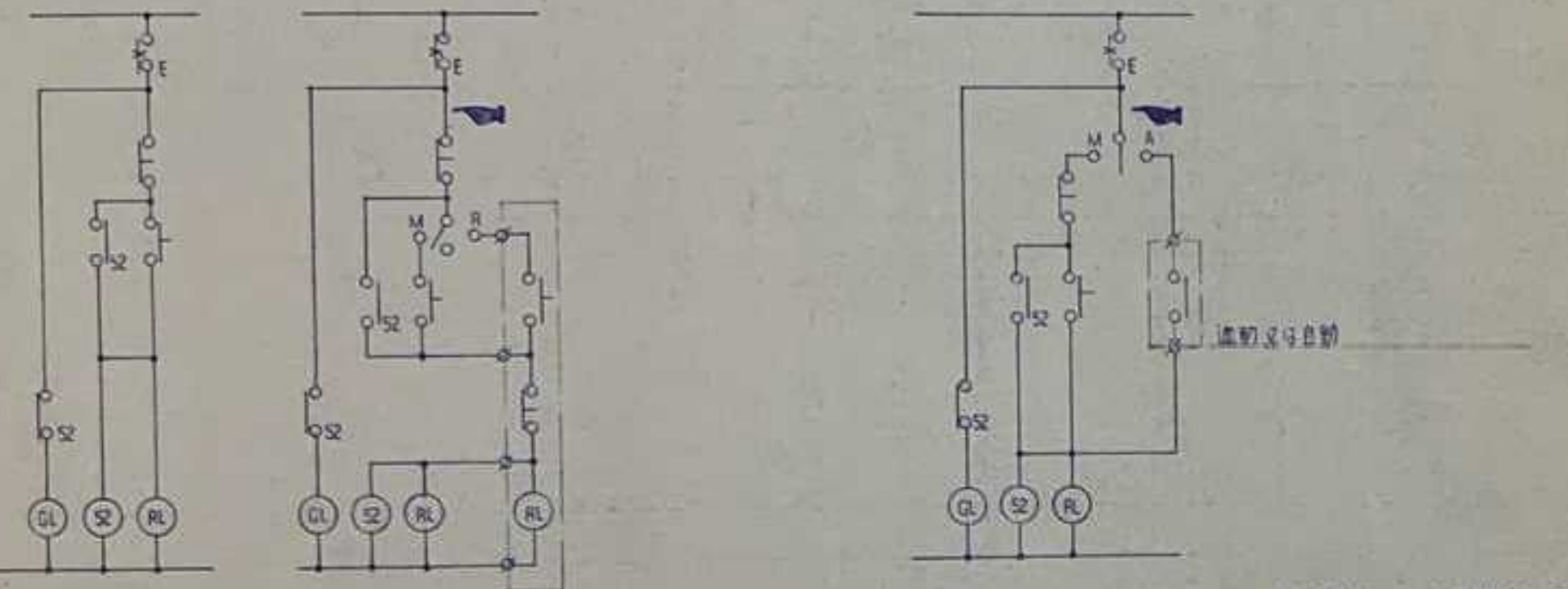
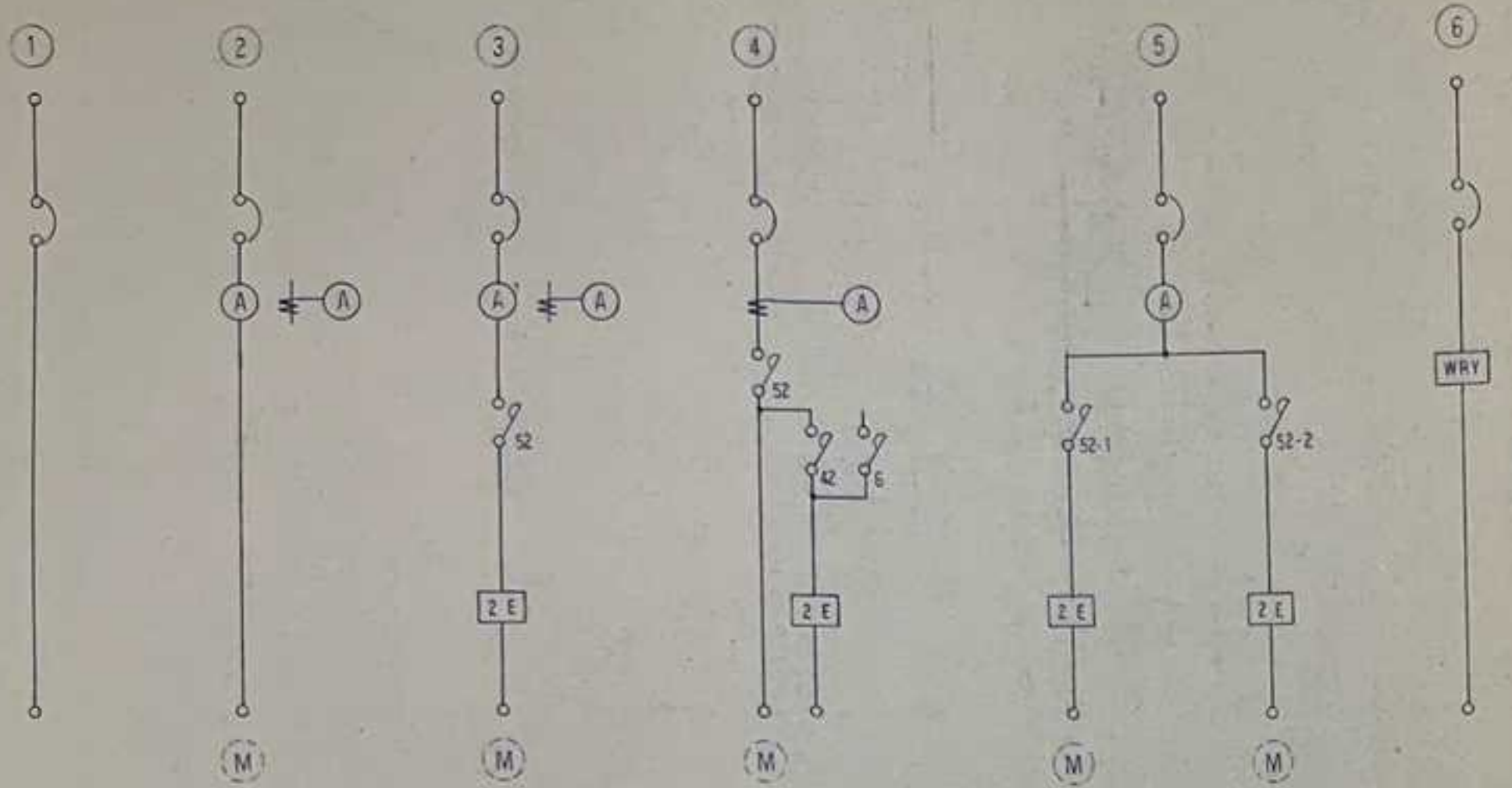
1. 冷却機運転時 2. 送電時 3. 送電時



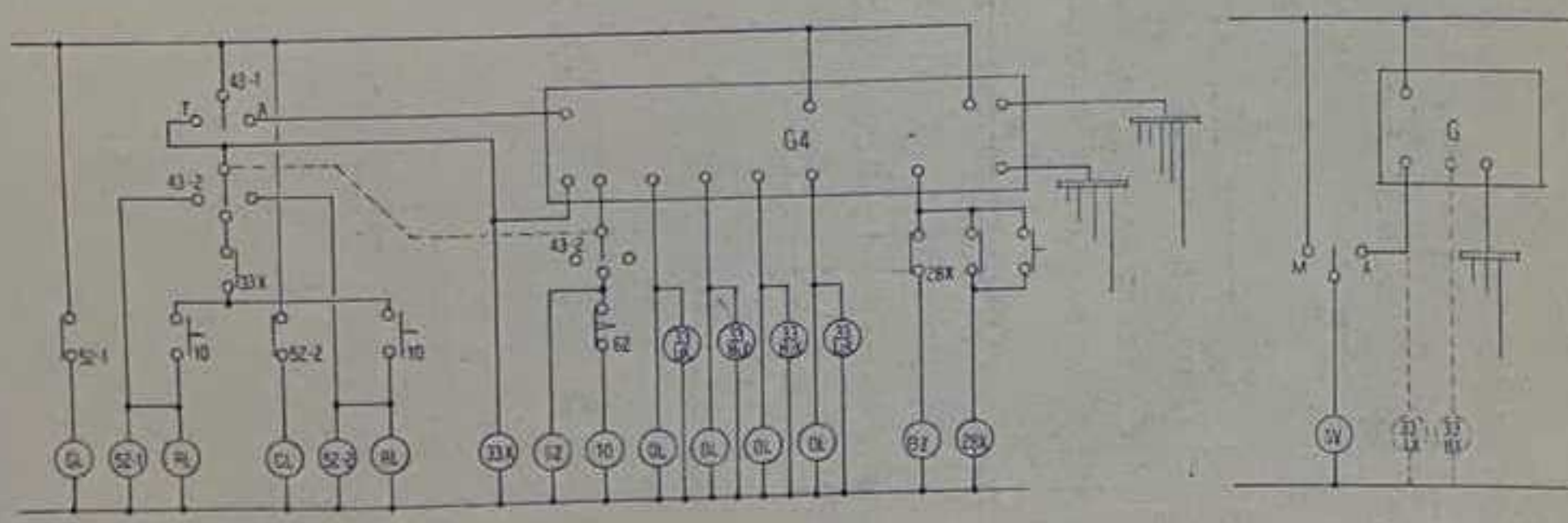
改修

1. 屋外型 2. 送電時

竣工図



A 展開図 B 展開図 C 展開図

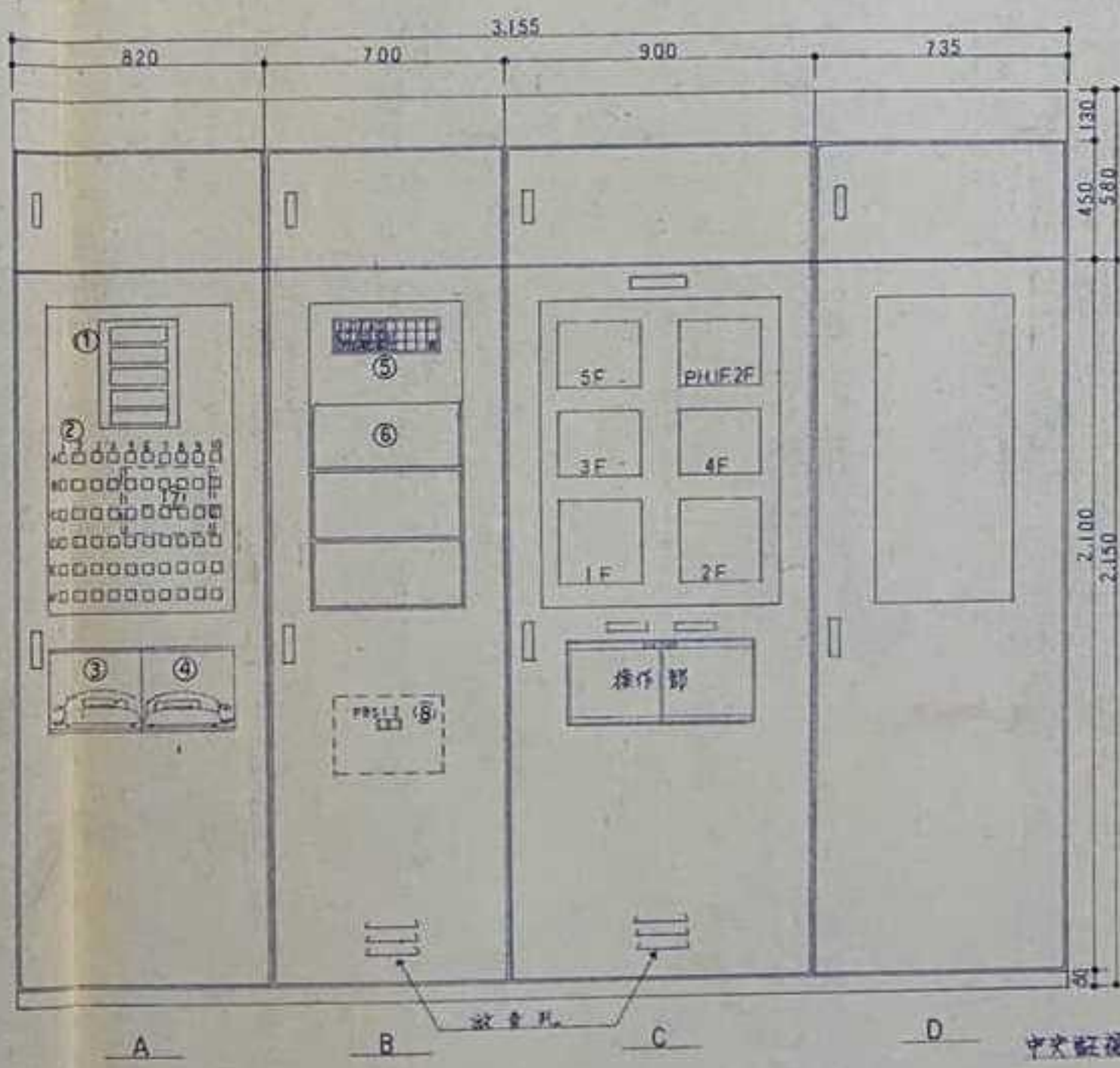
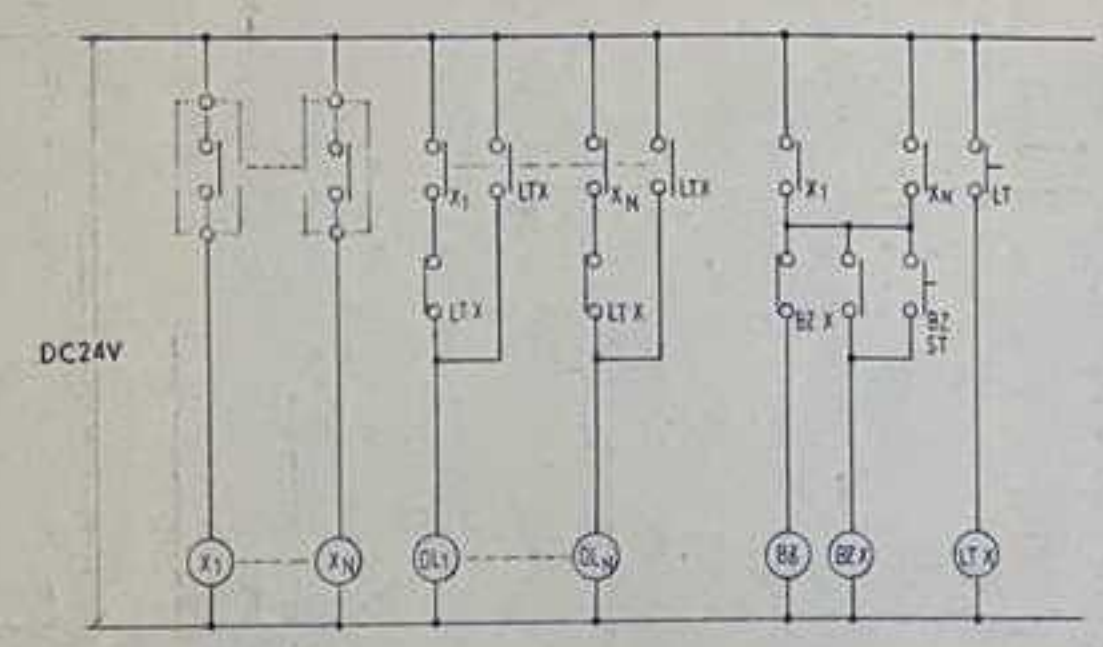


D 展開図 E 展開図

*電圧計 CTは20A以上取付可

*インターロックあり場合は K127-B-07 接点と挿入すること。
*Y-A起動の場合は 52-1 52-2 を付加すること。

*SVはM-A型のアンプ回路に付し、M-R型はM-R型の消火栓水ポンプ回路に適用する。



A B C D 正面図 側面図

電報型 ⑤

型番表		
1	高圧送電機	16 浄化槽送電機
2	低圧送電機	17 送電機
3	発電機送電機	予備 12 送電機
4	水ポンプ送電機	
5	直圧送電機送電機	
6	排煙ファン送電機	
7	消火栓水送電機	
8	消火栓水送電機	
9	消火栓水送電機	
10	消火栓水送電機	
11	高圧水送電機	
12	排煙ファン送電機	
13	消火栓水送電機	
14	消火栓水送電機	
15	消火栓水送電機	18 昇降機送電機

No	名称	備考
A	高圧送電機送電機	
B	低圧送電機	
C	発電機	
D	水ポンプ	
①	水ポンプ送電機	1/E
②	消火栓水送電機	1/E
③	消火栓水送電機	1/E
④	消火栓水送電機	(管線)
⑤	消火栓水送電機	1/E
⑥	消火栓水送電機	1/E
⑦	消火栓水送電機	1/E
⑧	消火栓水送電機	1/E

動力操作盤 ⑥ SAVIG E.C

装置番号	装置名称	備考
AHU-1	送風機送電機(17F)	M-1
-2	"	M-2A
-3	"	M-3
-5	"	M-5
-6	"	M-2B
-7	"	M-2C
-8	"	M-2B
-9	"	M-2B
P-3	冷温水送電機(一層)	M-R-2
P-4	"(別長)	M-R-2
P-5	"(別長)	M-R-2
P-6	"(別長)	M-R-2
P-7	"(別長)	M-R-2
P-8	"(別長)	M-R-2
P-2A	冷温水送電機	M-R-2
P-2b	"	M-R-2
P-2C	"	M-R-2

1. 対象は現場のAVCとシマン送電機 (指定)とする。
2. X-A-送電機送電機の時手技とする。
1) 目録を伝送
2) 目録を伝送
3) 目録を伝送
4) 目録を伝送
5) 目録を伝送
6) 目録を伝送
3. 制御本体は上下の2層に設置する。

竣工図

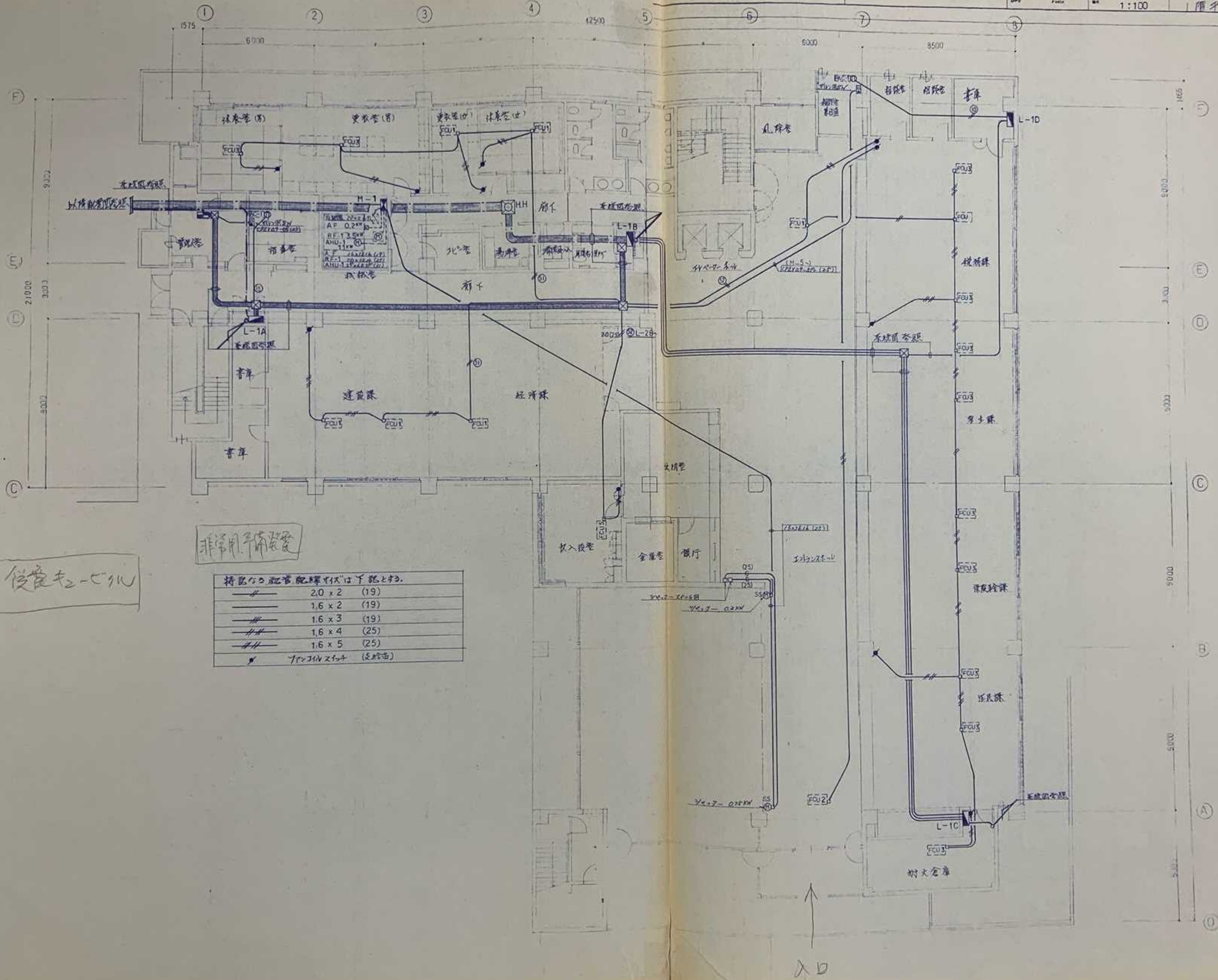
盤名称	電源	主開閉器	回路番号	分岐開閉器	電圧	負荷容量	備考	
L-1A	15*20/105 (L1)	MCB2P225AF150AT	L-1A	①	MCB1P50AF20AT	100V	1290 VA	電灯
				②	"	"	1130	"
				③	"	"	1000	70PF212L1
				④	"	"	600	"
				⑤	"	"	750	"
				⑥	"	"	600	"
				⑦	"	"	600	"
				⑧	"	"	600	"
				⑨	"	"	600	"
				⑩	"	"	600	"
				⑪	"	"	600	"
				⑫	"	"	600	"
				⑬	"	"	950	予備
				⑭	MCB1P50AF20AT	"	750	2L2L
				⑮	"	"	"	予備
				⑯	"	"	100	有線電話機
				⑰	MCB1P50AF20AT	"	100	有線電話機
				⑱	"	"	100	有線電話機
				⑳	"	"	"	予備
				㉑	ELB2P50AF20AT	"	1200	電灯
				㉒	"	"	789	1721 PAC-1
				㉓	"	"	"	予備
㉔	MCB2P50AF20AT	200V	2160	電灯 (建設路)				
㉕	"	"	2520	(建設路)				
㉖	"	"	"	予備				
㉗	ELB2P50AF20AT	100V	540	電灯				
㉘	MCB2P50AF20AT	"	750	"				
㉙	"	"	150	有線電話機				
㉚	"	"	150	有線電話機				
㉛	"	"	150	有線電話機				
㉜	"	"	150	有線電話機				
L-1B	15*20/105 (L1)	MCB2P225AF150AT	L-1B	①	MCB1P50AF20AT	100V	900 VA	電灯
				②	"	"	1000	"
				③	"	"	1100	"
				④	"	"	170	"
				⑤	"	"	1800	2L2
				⑥	"	"	150	2L2L
				⑦	"	"	100	"
				⑧	"	"	450	"
				⑨	"	"	450	"
				⑩	"	"	"	予備
				⑪	MCB1P50AF20AT	"	950	2L2L
				⑫	"	"	1200	電灯
				⑬	"	"	"	予備
				⑭	ELB2P50AF20AT	"	500	電灯
				⑮	"	"	"	予備
				⑯	"	"	"	予備
				⑰	"	"	"	予備
				⑱	"	"	"	予備
				⑳	"	"	"	予備
				㉑	"	"	"	予備
				㉒	"	"	"	予備
				㉓	"	"	"	予備
㉔	"	"	"	予備				
㉕	"	"	"	予備				
㉖	"	"	"	予備				
㉗	"	"	"	予備				
㉘	"	"	"	予備				
㉙	"	"	"	予備				
㉚	"	"	"	予備				
㉛	"	"	"	予備				
㉜	"	"	"	予備				
㉝	"	"	"	予備				
㉞	"	"	"	予備				
㉟	"	"	"	予備				
㊱	"	"	"	予備				
㊲	"	"	"	予備				
㊳	"	"	"	予備				
㊴	"	"	"	予備				
㊵	"	"	"	予備				
㊶	"	"	"	予備				
㊷	"	"	"	予備				
㊸	"	"	"	予備				
㊹	"	"	"	予備				
㊺	"	"	"	予備				
㊻	"	"	"	予備				
㊼	"	"	"	予備				
㊽	"	"	"	予備				
㊾	"	"	"	予備				
㊿	"	"	"	予備				

盤名称	電源	主開閉器	回路番号	分岐開閉器	電圧	負荷容量	備考	
L-1B	15*20/105 (L1)	MCB2P225AF150AT	L-1B	①	MCB1P50AF20AT	100V	1100 VA	電灯
				②	"	"	1760	有線電話機
				③	"	"	680	"
				④	"	"	1590	"
				⑤	"	"	"	予備
				⑥	"	"	"	予備
				⑦	"	"	"	予備
				⑧	"	"	"	予備
				⑨	"	"	"	予備
				⑩	"	"	"	予備
L-1C	15*20/105 (L1)	MCB2P225AF150AT	L-1C	①	MCB1P50AF20AT	100V	1350 VA	電灯
				②	"	"	700	"
				③	"	"	600	2L2L
				④	"	"	600	70PF212L1
				⑤	"	"	600	"
				⑥	"	"	600	"
				⑦	"	"	600	"
				⑧	"	"	600	"
				⑨	"	"	600	"
				⑩	"	"	600	"
L-1D	15*20/105 (L1)	MCB2P225AF150AT	L-1D	①	MCB1P50AF20AT	100V	1800 VA	電灯
				②	"	"	1800	"
				③	"	"	2160	"
				④	"	"	3200	"
				⑤	"	"	960	"
				⑥	"	"	100	"
				⑦	"	"	900	"
				⑧	"	"	3000	"
				⑨	"	"	"	予備
				⑩	"	"	"	予備
L-1E	15*20/105 (L1)	MCB2P225AF150AT	L-1E	①	MCB1P50AF20AT	100V	1100 VA	2L2L
				②	"	"	600	70PF212L1
				③	"	"	600	"
				④	"	"	600	"
				⑤	"	"	600	"
				⑥	"	"	600	"
				⑦	"	"	750	"
				⑧	"	"	800	"
				⑨	"	"	"	予備
				⑩	"	"	"	予備
L-1F	15*20/105 (L1)	MCB2P225AF150AT	L-1F	①	MCB1P50AF20AT	100V	1100 VA	2L2L
				②	"	"	600	70PF212L1
				③	"	"	600	"
				④	"	"	600	"
				⑤	"	"	600	"
				⑥	"	"	600	"
				⑦	"	"	750	"
				⑧	"	"	800	"
				⑨	"	"	"	予備
				⑩	"	"	"	予備
L-1G	15*20/105 (L1)	MCB2P225AF150AT	L-1G	①	MCB1P50AF20AT	100V	1100 VA	2L2L
				②	"	"	600	70PF212L1
				③	"	"	600	"
				④	"	"	600	"
				⑤	"	"	600	"
				⑥	"	"	600	"
				⑦	"	"	750	"
				⑧	"	"	800	"
				⑨	"	"	"	予備
				⑩	"	"	"	予備
L-1H	15*20/105 (L1)	MCB2P225AF150AT	L-1H	①	MCB1P50AF20AT	100V	1100 VA	2L2L
				②	"	"	600	70PF212L1
				③	"	"	600	"
				④	"	"	600	"
				⑤	"	"	600	"
				⑥	"	"	600	"
				⑦	"	"	750	"
				⑧	"	"	800	"
				⑨	"	"	"	予備
				⑩	"	"	"	予備
L-1I	15*20/105 (L1)	MCB2P225AF150AT	L-1I	①	MCB1P50AF20AT	100V	1100 VA	2L2L
				②	"	"	600	70PF212L1
				③	"	"	600	"
				④	"	"	600	"
				⑤	"	"	600	"
				⑥	"	"	600	"
				⑦	"	"	750	"
				⑧	"	"	800	"
				⑨	"	"	"	予備
				⑩	"	"	"	予備
L-1J	15*20/105 (L1)	MCB2P225AF150AT	L-1J	①	MCB1P50AF20AT	100V	1100 VA	2L2L
				②	"	"	600	70PF212L1
				③	"	"	600	"
				④	"	"	600	"
				⑤	"	"	600	"
				⑥	"	"	600	"
				⑦	"	"	750	"
				⑧	"	"	800	"
				⑨	"	"	"	予備
				⑩	"	"	"	予備

盤名称	電源	主開閉器	回路番号	分岐開閉器	電圧	負荷容量	備考	
L-2A	15*20/105 (L1)	MCB2P225AF150AT	L-2A	①	MCB1P50AF20AT	100V	750 VA	2L2L
				②	"	"	600	70PF212L1
				③	"	"	750	"
				④	"	"	600	"
				⑤	"	"	750	"
				⑥	"	"	600	"
				⑦	"	"	450	"
				⑧	"	"	450	"
				⑨	"	"	600	"
				⑩	"	"	600	"
L-2B	15*20/105 (L1)	MCB2P225AF150AT	L-2B	①	MCB1P50AF20AT	100V	1200 VA	電灯
				②	"	"	1200	"
				③	"	"	1200	"
				④	"	"	1200	"
				⑤	"	"	1200	"
				⑥	"	"	1200	"
				⑦	"	"	1200	"
				⑧	"	"	1200	"
				⑨	"	"	1200	"
				⑩	"	"	1200	"
L-2C	15*20/105 (L1)	MCB2P225AF150AT	L-2C	①	MCB1P50AF20AT	100V	660 VA	電灯
				②	"	"	1570	"
				③	"	"	1550	"
				④	"	"	1100	"
				⑤	"	"	150	"
				⑥	"	"	600	70PF212L1
				⑦	"	"	600	"
				⑧	"	"	750	"
				⑨	"	"	600	"
				⑩	"	"	600	"
L-2D	15*20/105 (L1)	MCB2P225AF150AT	L-2D	①	MCB1P50AF20AT	100V	660 VA	電灯
				②	"	"	1570	"
				③	"	"	1550	"
				④	"	"	1100	"
				⑤	"	"	150	"
				⑥	"	"	600	70PF212L1
				⑦	"	"	600	"
				⑧	"	"	750	"
				⑨	"	"	600	"
				⑩	"	"	600	"
L-2E	15*20/105 (L1)	MCB2P225AF150AT	L-2E	①	MCB1P50AF20AT	100V	660 VA	電灯
				②	"	"	1570	"
				③	"	"	1550	"
				④	"	"	1100	"
				⑤	"	"	150	"
				⑥	"	"	600	70PF212L1
				⑦	"	"	600	"
				⑧	"	"	750	"
				⑨	"	"	600	"
				⑩	"	"	600	"
L-2F	15*20/105 (L1)	MCB2P225AF150AT	L-2F	①	MCB1P50AF20AT	100V	660 VA	電灯
				②	"	"	1570	"
				③	"	"	1550	"
				④	"	"	1100	"
				⑤	"	"	150	"
				⑥	"	"	600	70PF212L1
				⑦	"	"	600	"
				⑧	"	"	750	"
				⑨	"	"	600	"
				⑩	"	"	600	"
L-2G	15*20/105 (L1)	MCB2P225AF150AT	L-2G	①	MCB1P50AF20AT	100V	660 VA	電灯
				②	"	"	1570	"
				③	"	"	1550	"
				④				

竣工図

盤名称	電源	主開閉器	回路番号	分岐開閉器	電圧	負荷容量	備考
L-3A	100V/10A ①	MCB1P225AF/150AT	①	MCB1P50AF20AT	100V	1500 VA	電灯
			②	"	"	1200	"
			③	"	"	600	"
			④	"	"	1375	"
			⑤	"	"	1320	"
			⑥	"	"	1000	2.2L
			⑦	"	"	200	"
			⑧	"	"	200	"
			⑨	"	"	250	"
			⑩	"	"	250	"
			⑪	"	"	x5	予備x5
			⑫	ELB2P50AF20AT	"	500	浄水器
			⑬	"	"	200	浄水器
			⑭	"	"	200	浄水器
			⑮	"	"	1200	浄水器
			⑯	"	"	1200	浄水器
			⑰	"	"	"	"
			⑱	"	"	"	"
			⑲	"	"	"	"
			⑳	"	"	"	"
			㉑	"	"	"	"
			㉒	"	"	"	"
			㉓	"	"	"	"
			㉔	"	"	"	"
㉕	"	"	"	"			
㉖	"	"	"	"			
㉗	"	"	"	"			
㉘	"	"	"	"			
㉙	"	"	"	"			
㉚	"	"	"	"			
㉛	"	"	"	"			
㉜	"	"	"	"			
㉝	"	"	"	"			
㉞	"	"	"	"			
㉟	"	"	"	"			
㊱	"	"	"	"			
㊲	"	"	"	"			
㊳	"	"	"	"			
㊴	"	"	"	"			
㊵	"	"	"	"			
㊶	"	"	"	"			
㊷	"	"	"	"			
㊸	"	"	"	"			
㊹	"	"	"	"			
㊺	"	"	"	"			
㊻	"	"	"	"			
㊼	"	"	"	"			
㊽	"	"	"	"			
㊾	"	"	"	"			
㊿	"	"	"	"			
㉑	"	"	"	"			
㉒	"	"	"	"			
㉓	"	"	"	"			
㉔	"	"	"	"			
㉕	"	"	"	"			
㉖	"	"	"	"			
㉗	"	"	"	"			
㉘	"	"	"	"			
㉙	"	"	"	"			
㉚	"	"	"	"			
㉛	"	"	"	"			
㉜	"	"	"	"			
㉝	"	"	"	"			
㉞	"	"	"	"			
㉟	"	"	"	"			
㊱	"	"	"	"			
㊲	"	"	"	"			
㊳	"	"	"	"			
㊴	"	"	"	"			
㊵	"	"	"	"			
㊶	"	"	"	"			
㊷	"	"	"	"			
㊸	"	"	"	"			
㊹	"	"	"	"			
㊺	"	"	"	"			
㊻	"	"	"	"			
㊼	"	"	"	"			
㊽	"	"	"	"			
㊾	"	"	"	"			
㊿	"	"	"	"			
㉑	"	"	"	"			
㉒	"	"	"	"			
㉓	"	"	"	"			
㉔	"	"	"	"			
㉕	"	"	"	"			
㉖	"	"	"	"			
㉗	"	"	"	"			
㉘	"	"	"	"			
㉙	"	"	"	"			
㉚	"	"	"	"			
㉛	"	"	"	"			
㉜	"	"	"	"			
㉝	"	"	"	"			
㉞	"	"	"	"			
㉟	"	"	"	"			
㊱	"	"	"	"			
㊲	"	"	"	"			
㊳	"	"	"	"			
㊴	"	"	"	"			
㊵	"	"	"	"			
㊶	"	"	"	"			
㊷	"	"	"	"			
㊸	"	"	"	"			
㊹	"	"	"	"			
㊺	"	"	"	"			
㊻	"	"	"	"			
㊼	"	"	"	"			
㊽	"	"	"	"			
㊾	"	"	"	"			
㊿	"	"	"	"			
㉑	"	"	"	"			
㉒	"	"	"	"			
㉓	"	"	"	"			
㉔	"	"	"	"			
㉕	"	"	"	"			
㉖	"	"	"	"			
㉗	"	"	"	"			
㉘	"	"	"	"			
㉙	"	"	"	"			
㉚	"	"	"	"			
㉛	"	"	"	"			
㉜	"	"	"	"			
㉝	"	"	"	"			
㉞	"	"	"	"			
㉟	"	"	"	"			
㊱	"	"	"	"			
㊲	"	"	"	"			
㊳	"	"	"	"			
㊴	"	"	"	"			
㊵	"	"	"	"			
㊶	"	"	"	"			
㊷	"	"	"	"			
㊸	"	"	"	"			
㊹	"	"	"	"			
㊺	"	"	"	"			
㊻	"	"	"	"			
㊼	"	"	"	"			
㊽	"	"	"	"			
㊾	"	"	"	"			
㊿	"	"	"	"			
㉑	"	"	"	"			
㉒	"	"	"	"			
㉓	"	"	"	"			
㉔	"	"	"	"			
㉕	"	"	"	"			
㉖	"	"	"	"			
㉗	"	"	"	"			
㉘	"	"	"	"			
㉙	"	"	"	"			
㉚	"	"	"	"			
㉛	"	"	"	"			
㉜	"	"	"	"			
㉝	"	"	"	"			
㉞	"	"	"	"			
㉟	"	"	"	"			
㊱	"	"	"	"			
㊲	"	"	"	"			
㊳	"	"	"	"			
㊴	"	"	"	"			
㊵	"	"	"	"			
㊶	"	"	"	"			
㊷	"	"	"	"			
㊸	"	"	"	"			
㊹	"	"	"	"			
㊺	"	"	"	"			
㊻	"	"	"	"			
㊼	"	"	"	"			
㊽	"	"	"	"			
㊾	"	"	"	"			
㊿	"	"	"	"			
㉑	"	"	"	"			
㉒	"	"	"	"			
㉓	"	"	"	"			
㉔	"	"	"	"			
㉕	"	"	"	"			
㉖	"	"	"	"			
㉗	"	"	"	"			
㉘	"	"	"	"			
㉙	"	"	"	"			
㉚	"	"	"	"			
㉛	"	"	"	"			
㉜	"	"	"	"			
㉝	"	"	"	"			
㉞	"	"	"	"			
㉟	"	"	"	"			
㊱	"	"	"	"			
㊲	"	"	"	"			
㊳	"	"	"	"			
㊴	"	"	"	"			
㊵	"	"	"	"			
㊶	"	"	"	"			
㊷	"	"	"	"			
㊸	"	"	"	"			
㊹	"	"	"	"			
㊺	"	"	"	"			
㊻	"	"	"	"			
㊼	"	"	"	"			
㊽	"	"	"	"			
㊾	"	"	"	"			
㊿	"	"	"	"			
㉑	"	"	"	"			
㉒	"	"	"	"			
㉓	"	"	"	"			
㉔	"	"	"	"			
㉕	"	"	"	"			
㉖	"	"	"	"			
㉗	"	"	"	"			
㉘	"	"	"	"			
㉙	"	"	"	"			
㉚	"	"	"	"			
㉛	"	"	"	"			
㉜	"	"	"	"			
㉝	"	"	"	"			
㉞	"	"	"	"			
㉟	"	"	"	"			
㊱	"	"	"	"			
㊲	"	"	"	"			
㊳	"	"	"	"			
㊴	"	"	"	"			
㊵	"	"	"	"			
㊶	"	"	"	"			
㊷	"	"	"	"			
㊸	"	"	"	"			
㊹	"	"	"	"			
㊺	"	"	"	"			
㊻	"	"	"	"			
㊼	"	"	"	"			
㊽	"	"	"	"			
㊾	"	"	"	"			
㊿	"	"	"	"			
㉑	"	"	"	"			
㉒	"	"	"	"			
㉓	"	"	"	"			
㉔	"	"	"	"			
㉕	"	"	"	"			
㉖	"	"	"	"			
㉗	"	"	"	"			
㉘	"	"	"	"			
㉙	"	"	"	"			
㉚	"	"	"	"			
㉛	"	"	"	"			
㉜	"	"	"	"			
㉝	"	"	"	"			
㉞	"	"	"	"			
㉟	"	"	"	"			
㊱	"	"	"	"			
㊲	"	"	"	"			
㊳	"	"	"	"			
㊴	"	"	"	"			
㊵	"	"	"	"			
㊶	"	"	"	"			
㊷	"	"	"	"			
㊸	"	"	"	"			
㊹	"	"	"	"			
㊺	"	"	"	"			
㊻	"	"	"	"			
㊼	"	"	"	"			
㊽	"	"	"	"			
㊾	"	"	"	"			
㊿	"	"	"	"			
㉑	"	"	"	"			
㉒	"	"	"	"			
㉓	"	"	"	"			
㉔	"	"	"	"			
㉕	"	"	"	"			
㉖	"	"	"	"			
㉗	"	"	"	"			
㉘	"	"	"	"			
㉙	"	"	"	"			
㉚	"	"	"	"			
㉛	"	"	"	"			
㉜	"	"	"	"			
㉝	"	"	"	"			
㉞	"	"	"	"			
㉟	"	"	"	"			
㊱	"	"	"	"			
㊲	"	"	"	"			
㊳	"	"	"	"			
㊴	"	"	"	"			
㊵	"	"	"	"			
㊶	"	"	"	"			
㊷	"	"	"	"			
㊸	"	"	"	"			
㊹	"	"	"	"			
㊺	"	"	"	"			
㊻	"	"	"	"			
㊼	"	"	"	"			
㊽	"	"	"	"			
㊾	"	"	"	"			
㊿	"	"	"	"			
㉑	"	"	"	"			
㉒	"	"	"	"			
㉓	"	"	"	"			
㉔	"	"	"	"			
㉕	"	"	"	"			
㉖	"	"	"	"			
㉗	"						



非常用予備装置

後巻巻上機

特定の配管配線寸法は下記のとおり。		
—	2.0 x 2	(19)
—	1.6 x 2	(19)
—	1.6 x 3	(19)
—	1.6 x 4	(25)
—	1.6 x 5	(25)
●	70 x 34 x 2.5	(足箱)

入口

新在明行舍新築工事

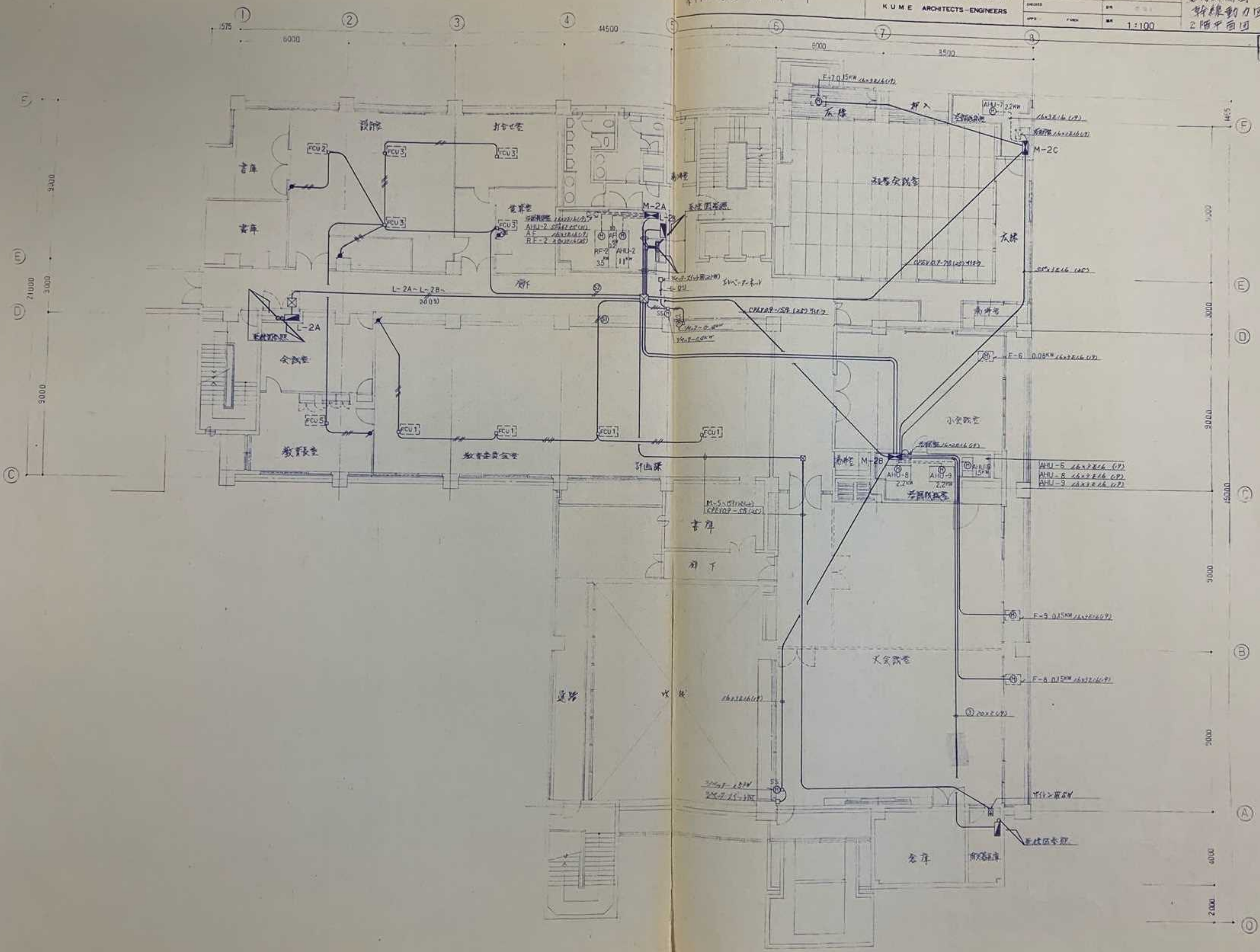
株式会社久米建築事務所
KUME ARCHITECTS-ENGINEERS

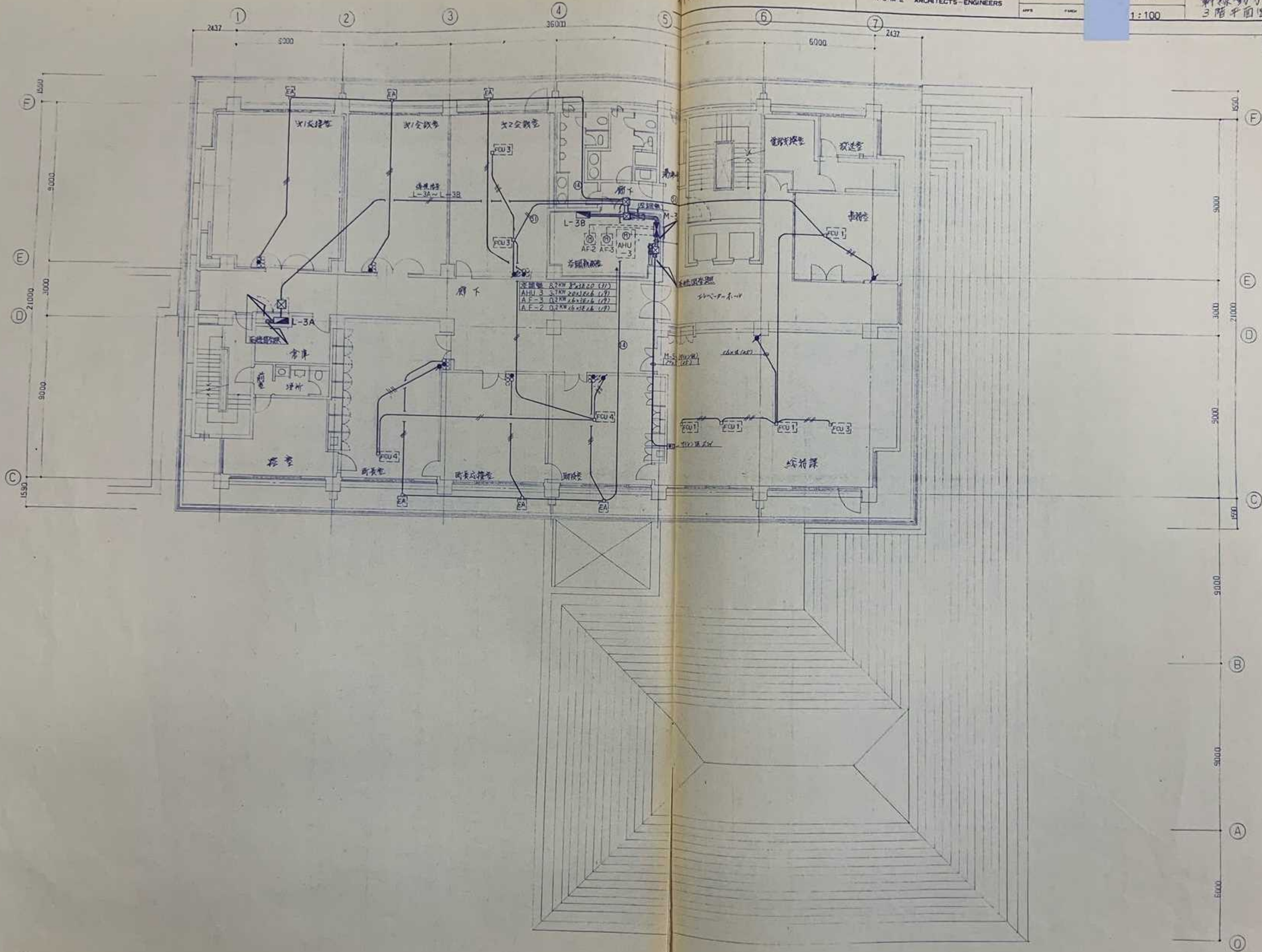
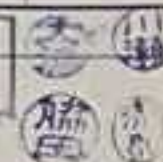
18508
1:100

電気設備図
新機動力回
2階平面図

E 14

竣工図





新莊町庁舎新築工事

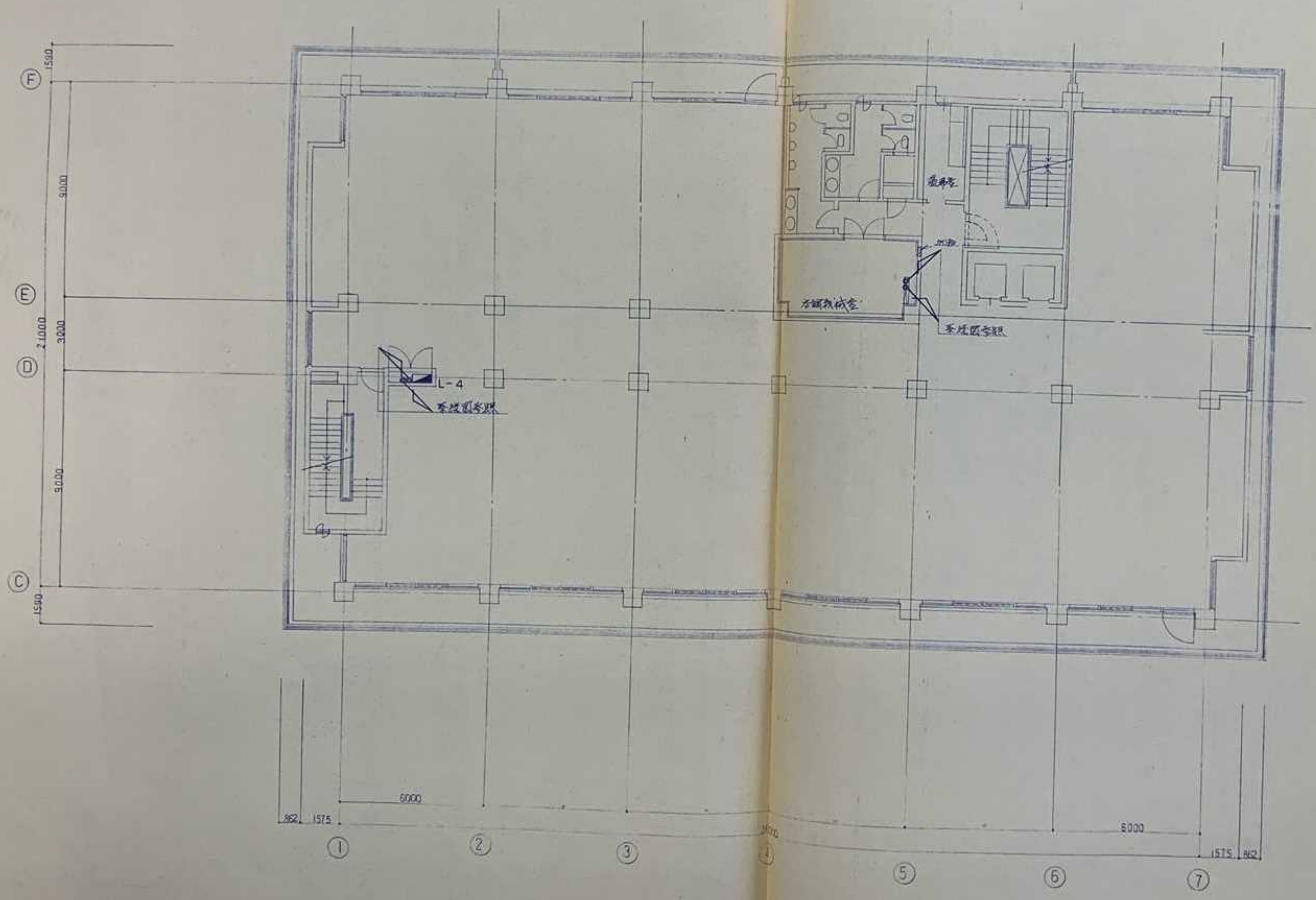
株式会社久米建築事務所
KUME ARCHITECTS-ENGINEERS

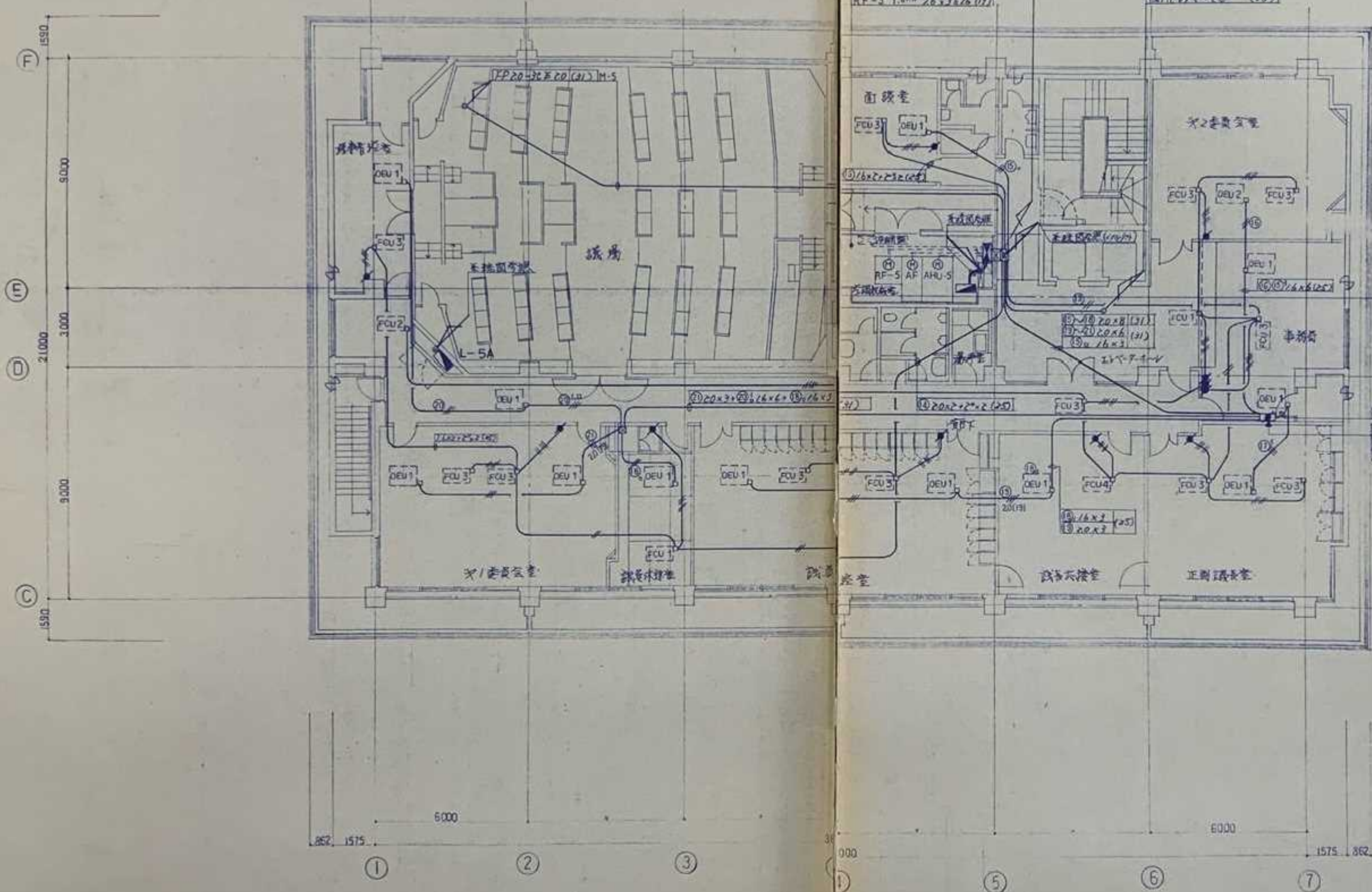
DATE	1948.09
DESIGN	1/1
APP	1:100

曾文記備図
新築動力図
4階平面図

E 16

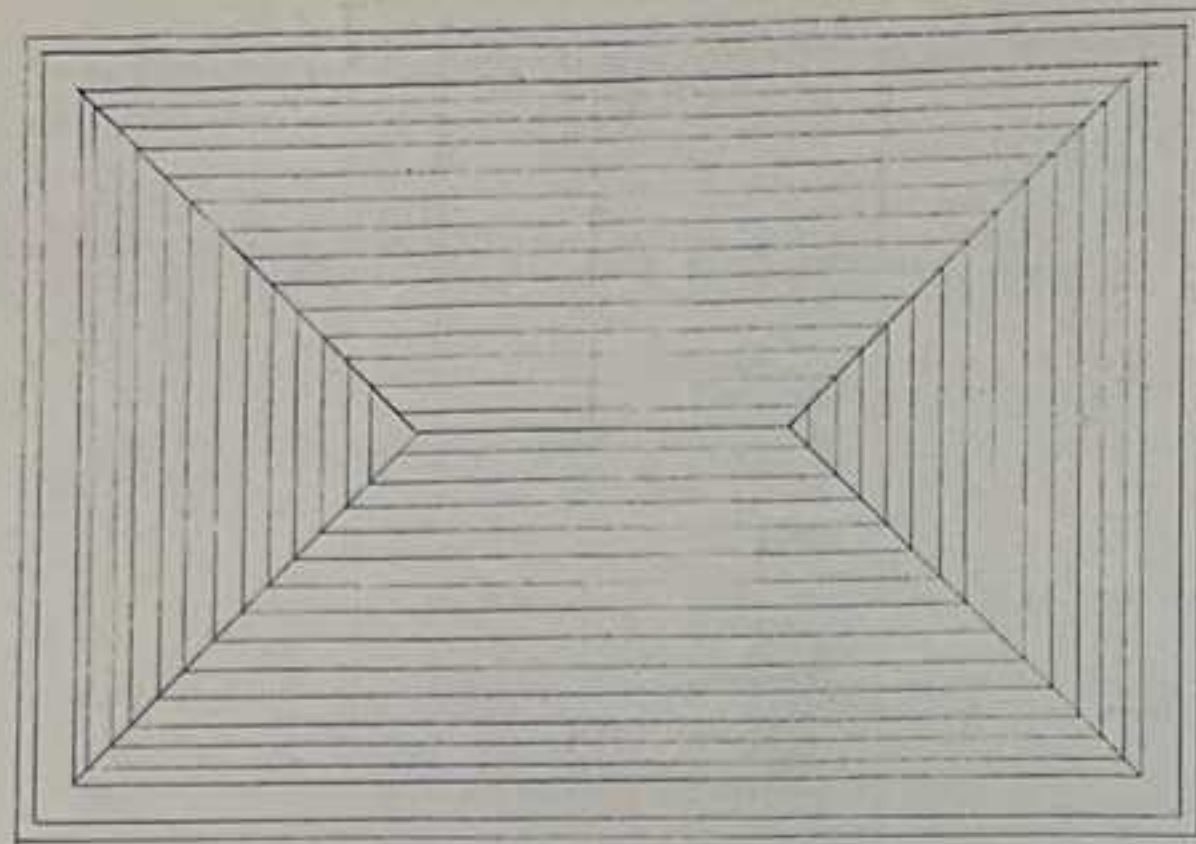
竣工図





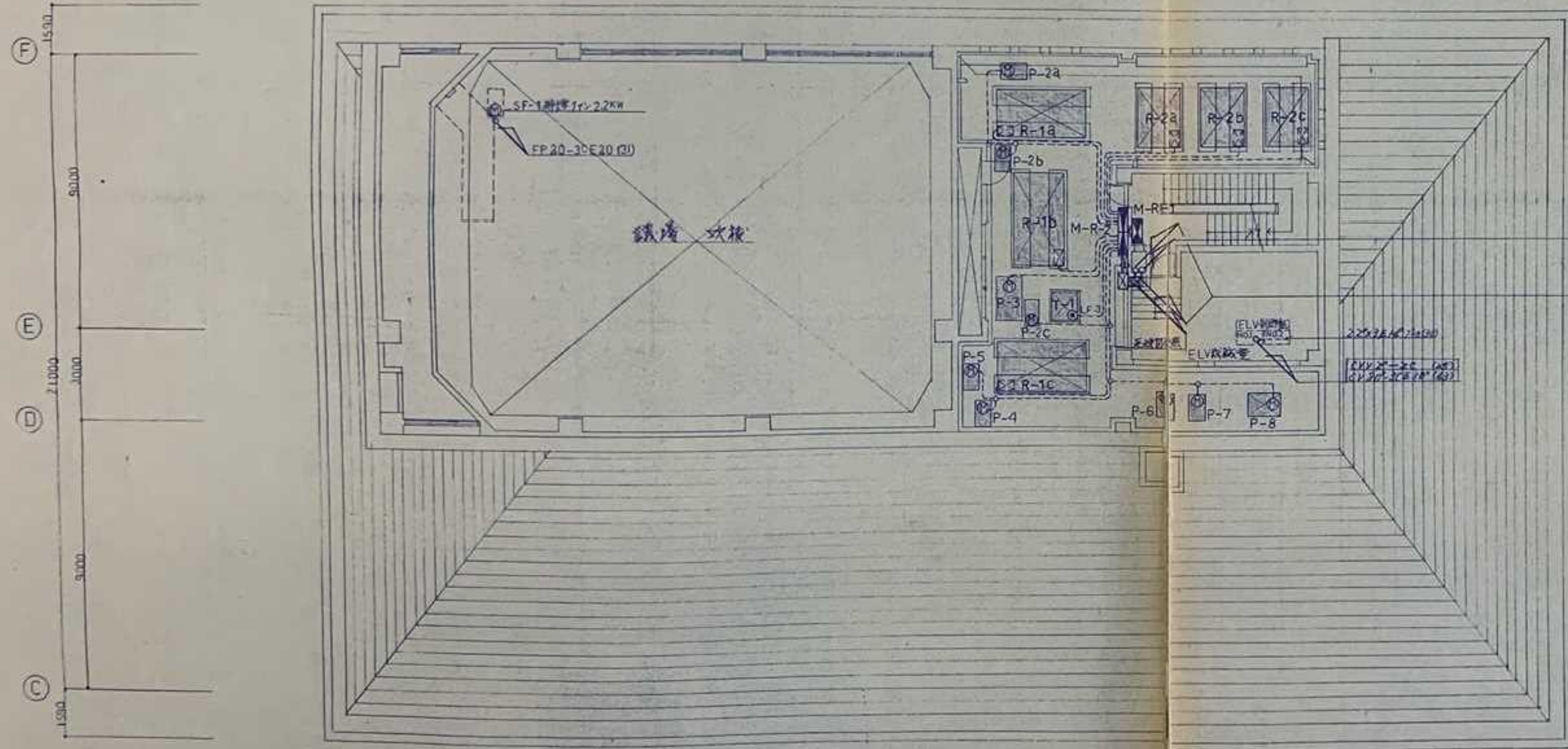
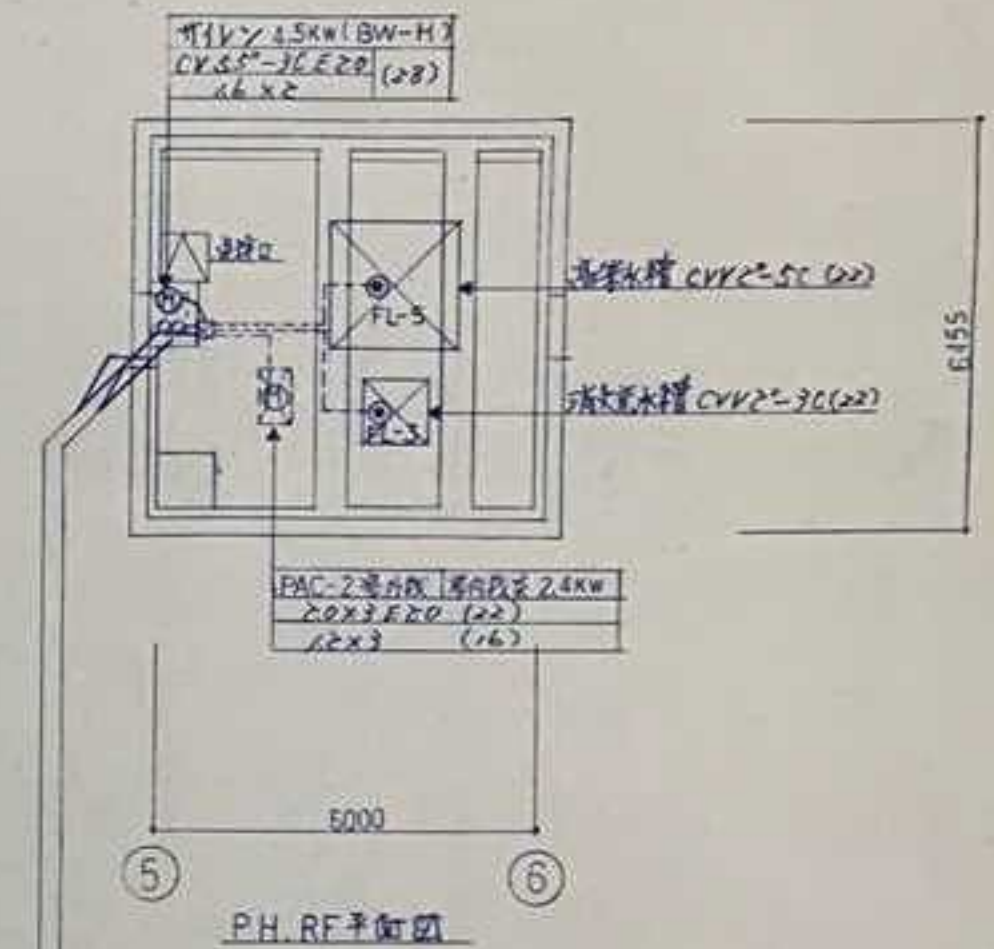
1. 2. 3. 4. 5. 6. 7. 8. 9. 10. 11. 12. 13. 14. 15. 16. 17. 18. 19. 20. 21. 22. 23. 24. 25. 26. 27. 28. 29. 30. 31. 32. 33. 34. 35. 36. 37. 38. 39. 40. 41. 42. 43. 44. 45. 46. 47. 48. 49. 50. 51. 52. 53. 54. 55. 56. 57. 58. 59. 60. 61. 62. 63. 64. 65. 66. 67. 68. 69. 70. 71. 72. 73. 74. 75. 76. 77. 78. 79. 80. 81. 82. 83. 84. 85. 86. 87. 88. 89. 90. 91. 92. 93. 94. 95. 96. 97. 98. 99. 100.

1. 2. 3. 4. 5. 6. 7. 8. 9. 10. 11. 12. 13. 14. 15. 16. 17. 18. 19. 20. 21. 22. 23. 24. 25. 26. 27. 28. 29. 30. 31. 32. 33. 34. 35. 36. 37. 38. 39. 40. 41. 42. 43. 44. 45. 46. 47. 48. 49. 50. 51. 52. 53. 54. 55. 56. 57. 58. 59. 60. 61. 62. 63. 64. 65. 66. 67. 68. 69. 70. 71. 72. 73. 74. 75. 76. 77. 78. 79. 80. 81. 82. 83. 84. 85. 86. 87. 88. 89. 90. 91. 92. 93. 94. 95. 96. 97. 98. 99. 100.



動力機器リスト表

| 機器番号 | 名称 | 容量 kW | 配管径φ | E 管径 | 制御配管径φ | 種別 |
|----------------------------------|------------------------------------|-------|-------|----------------------|------------------------|------|
| 1F中庭部、CVVS2 ² -2C(22) | | | | | | |
| R-1a | ヒートポンプ
・水温センサー | 59.0 | 150×3 | 22 ² (70) | 2 ² ×4 (22) | (22) |
| R-1b | ヒートポンプ | 59.0 | 150×3 | 22 ² (70) | CVVS0.75-2C (16) | (16) |
| R-1c | 水温センサー | 59.0 | 150×3 | (70) | 2 ² ×4 (22) | (22) |
| 1F中庭部、CVVS2 ² -2C(22) | | | | | | |
| R-2a | ヒートポンプ
・水温センサー | 21.1 | 38×3 | 14 ² (42) | | |
| R-2b | ヒートポンプ | 21.1 | 38×3 | 14 ² (42) | CVVS0.75-2C (16) | (16) |
| R-2c | 水温センサー | 21.1 | 38×3 | 14 ² (42) | | |
| P-2a | 逆流防止ポンプ | 1.5 | 1.5×3 | 20 (22) | | |
| P-2b | ポンプ | 1.5 | 1.5×3 | 20 (22) | | |
| P-2c | ポンプ | 1.5 | 1.5×3 | 20 (22) | | |
| P-3 | 逆流防止ポンプ(一般) | 15.0 | 22×6 | 14 ² (42) | | |
| P-4 | ポンプ(断水) | 0.75 | 1.5×3 | 20 (22) | | |
| P-5 | ポンプ(断水) | 0.75 | 1.5×3 | 20 (22) | | |
| P-6 | ポンプ(断水) | 0.75 | 1.5×3 | 20 (22) | | |
| P-7 | ポンプ(断水) | 0.75 | 1.5×3 | 20 (22) | | |
| P-8 | ポンプ(断水) | 2.2 | 20×3 | 20 (22) | | |
| T-1 | 7 ² ×3 ² ポンプ | | | | 16×3 (16) | |



FAC-2 20×3E20 (25) R-H-20

| | |
|------------------------------------|------|
| 高圧水塔 CVV2 ² -5C (25) | (25) |
| 高圧水塔 CVV2 ² -2C (25) | (25) |
| 逆流防止 CVV2 ² -3CE20 (21) | (21) |
| 断水ポンプ 1.6×2 | |

